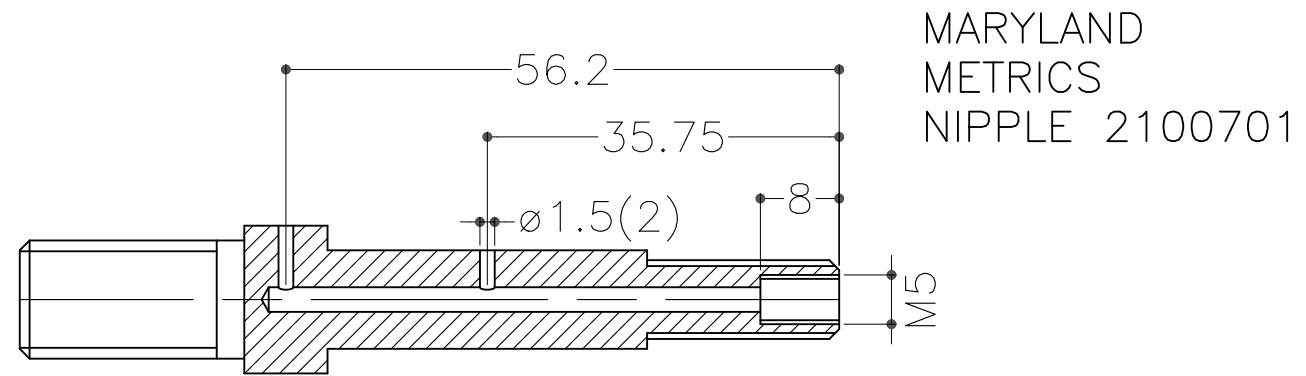


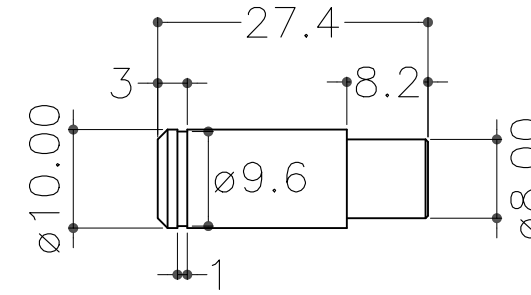
TUBULAR PIVOTS
 DIM "A"
 1-OFF 23.2 mm
 1-OFF 5.2 mm
 2-OFF 12.5 mm (*)
 SILVER STEEL, DRILL ROD

(*) USE IN CONJUNCTION WITH 0.4 mm THICK SHIM WASHER, DELRIN or SIMILAR

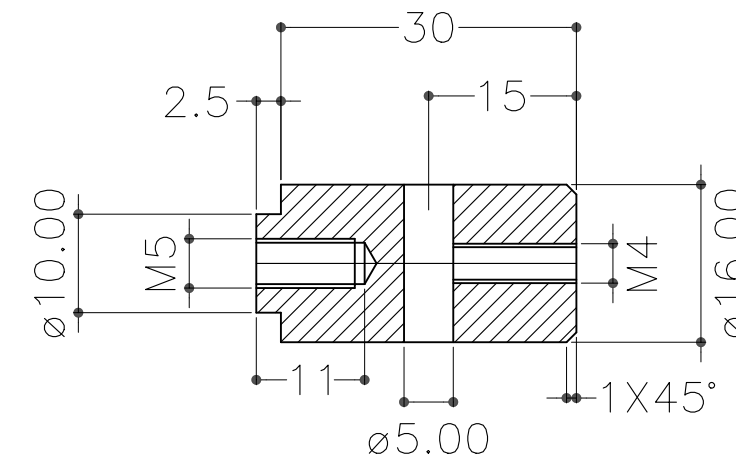
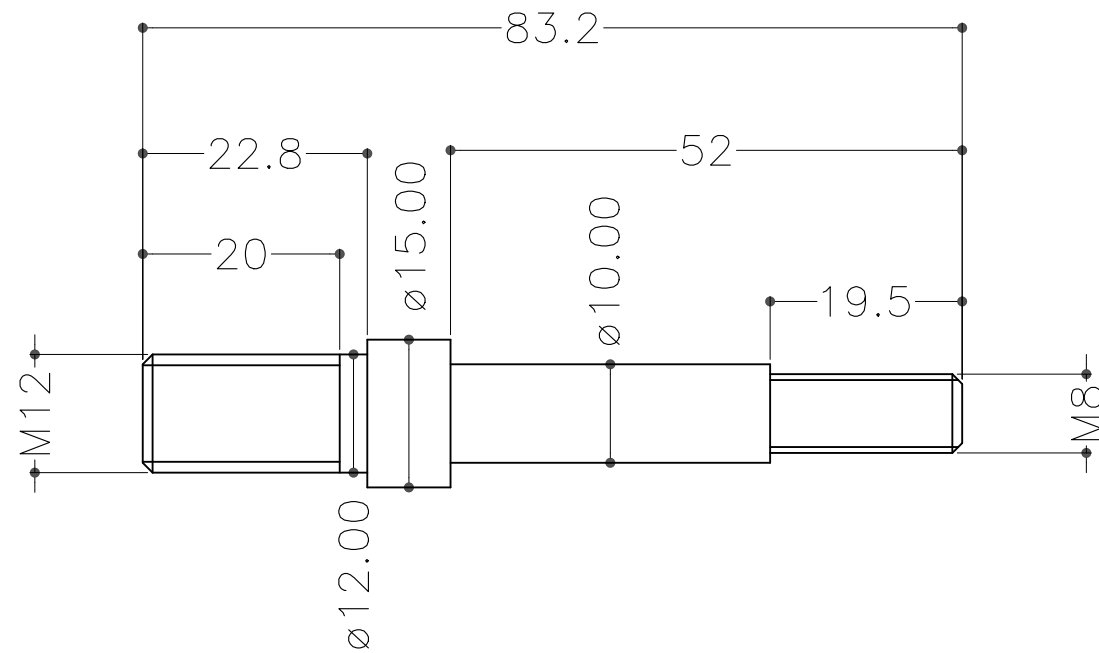


MARYLAND METRICS
 NIPPLE 2100701

DRILL ROD

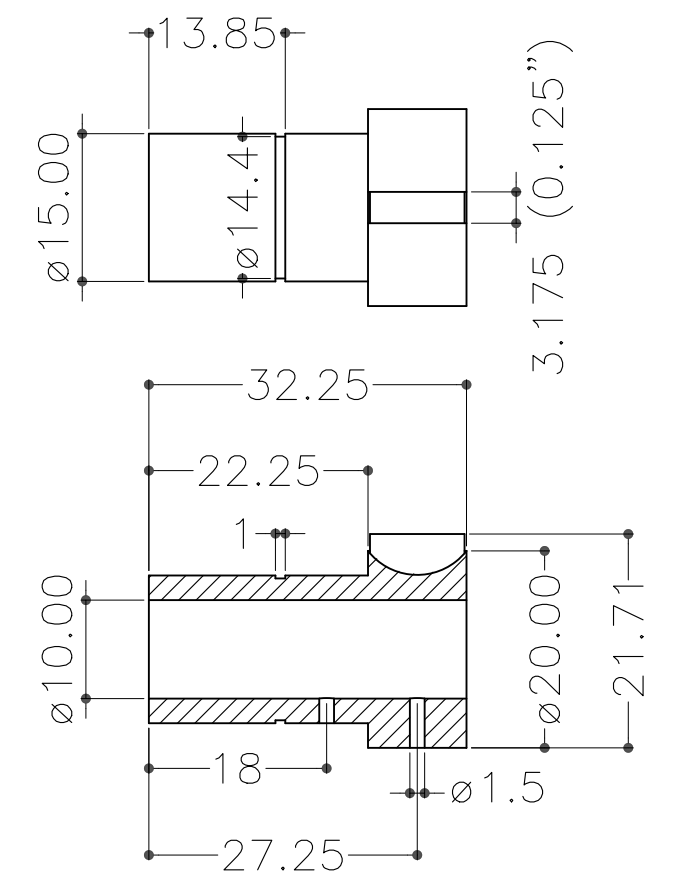
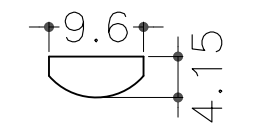


DRILL ROD



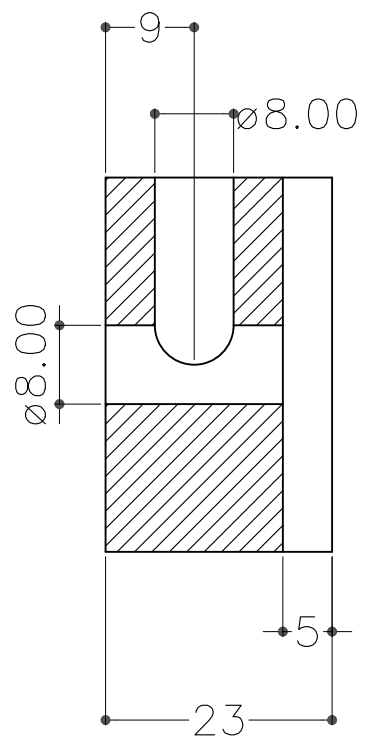
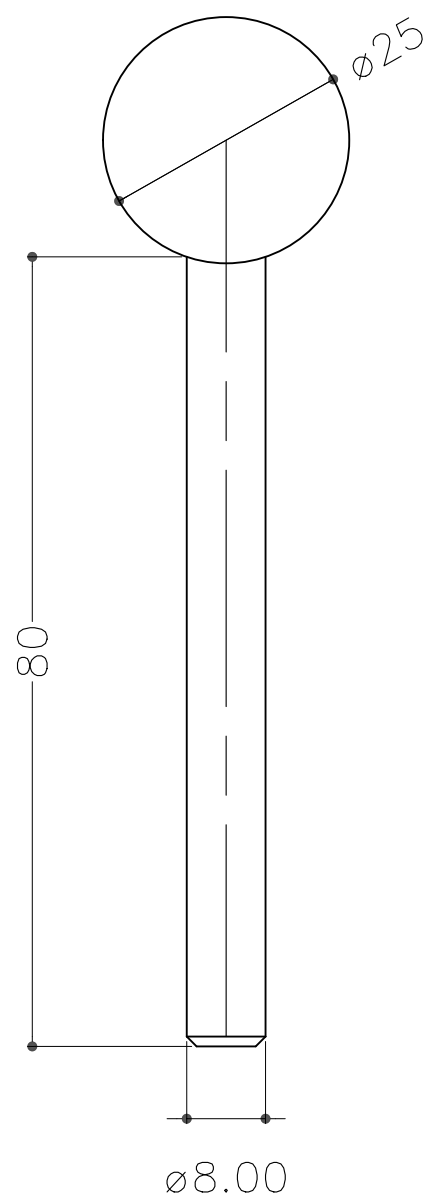
DRILL ROD

MODIFIED WOODRUFF KEY

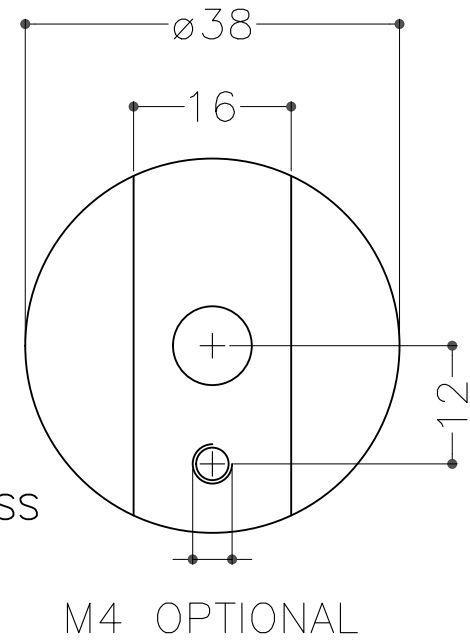


DRILL ROD H&T

PLASTIC BALL KNOB WITH SILVER STEEL, DRILL ROD HANDLE



HANDLE BOSS
 MILD STEEL



M4 OPTIONAL